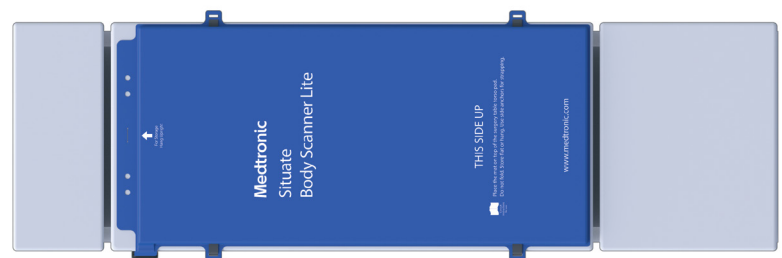
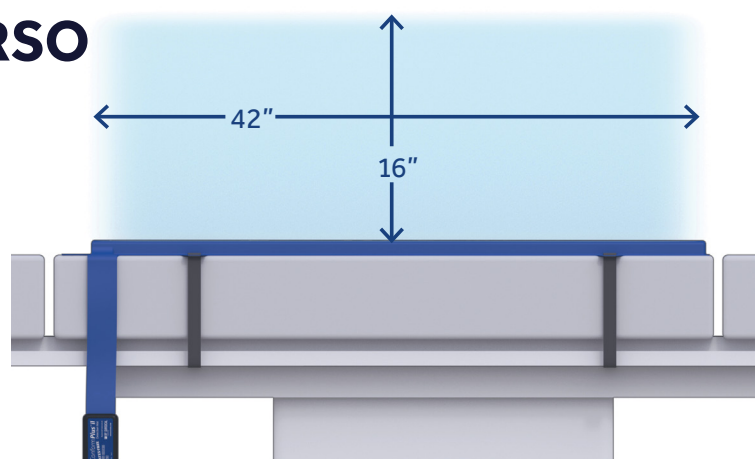


# SCANNING TECHNIQUES

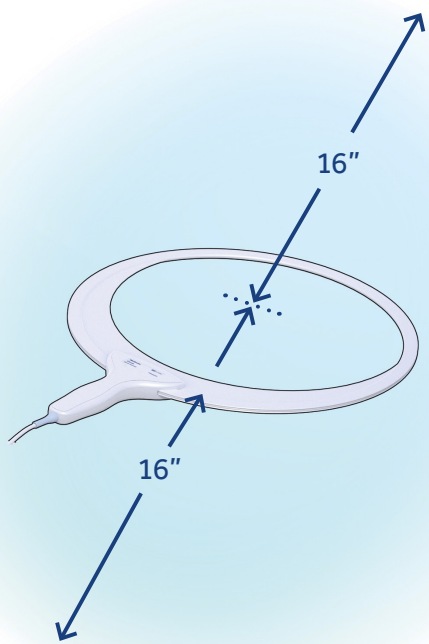
## Situate™ Detection System X

### Situate™ Body Scanner Lite

#### TORSO



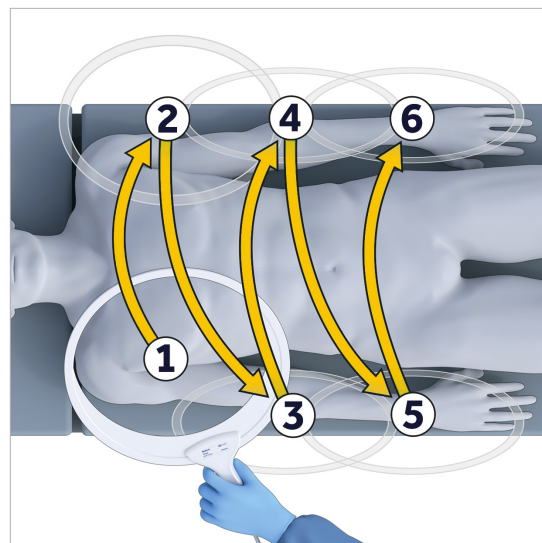
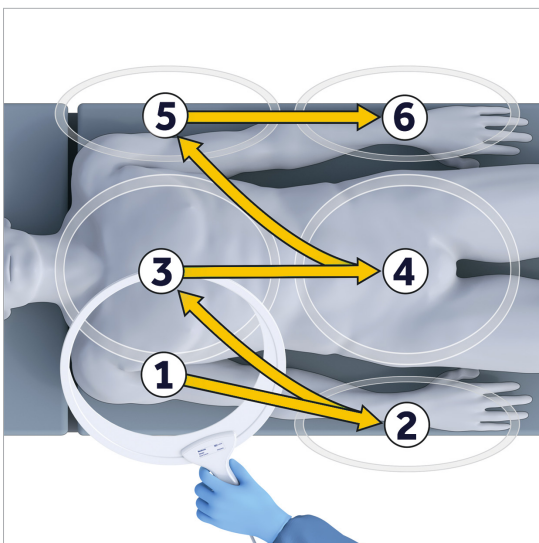
### Situate™ Room Scanner



#### RECOMMENDED SCAN TECHNIQUE:

- The scanning procedure includes a vertical and horizontal scan pattern
- Using the draped Room Scanner, scan low and slow within 5 cm (2 in) of the body, following the contour of the patient's body
- One wand scan pattern will take between 15–20 seconds, at the rate of at least 3 seconds per pass
- Typical wand scan takes 30–40 seconds

#### TORSO



#### OR ENVIRONMENT



Refer to **Situate™ Detection System X Instructions for Use** for more information.

© 2020 Medtronic. All rights reserved. Medtronic, Medtronic logo and Further, Together are trademarks of Medtronic. All other brands are trademarks of a Medtronic company. 04/2020-US160552(1)a-[WF# 3764406]

[medtronic.com/situate](https://www.medtronic.com/situate)

**Medtronic**  
Further, Together