

# TRICUSPID CHOICES NO LONGER THE FORGOTTEN VALVE



**Tri-Ad™ 2.0**

Adams Annuloplasty Band

**Contour 3D™**

Annuloplasty Ring

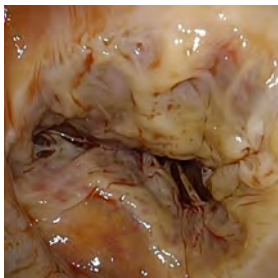
**Medtronic**

# Tri-Ad™ 2.0

## Adams Annuloplasty Band

### Flexible + Semi-rigid Combined Advantage

Repair annular dilatation preserving 3D motion during the cardiac cycle while providing free wall support and remodeling.

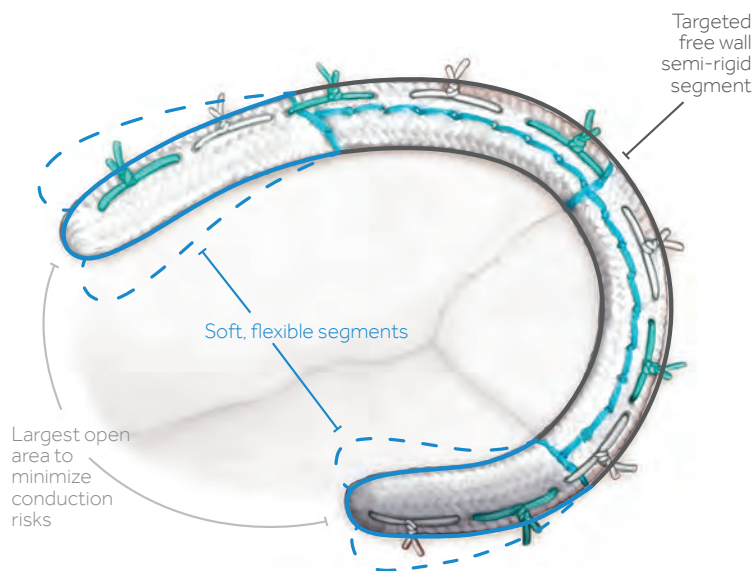


Pre-repair



Post-repair

Photos courtesy of Dr. David Adams,  
Mount Sinai Hospital, New York.



Flexible remodeling — the Tri-Ad 2.0 band arms are flexible, whereas semi-rigid remodeling is targeted at the annular dilatation.

# Contour 3D™

## Annuloplasty Ring

### 3D Remodeling Ring Anatomically Shaped

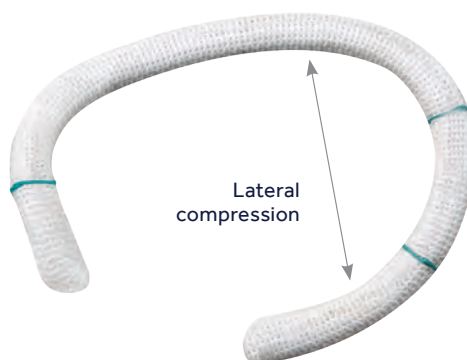
Design is based on CT data from functional human tricuspid valves.

2D shape, 3D curvature

Low profile, incomplete ring is designed to avoid interference with the heart's conduction system.



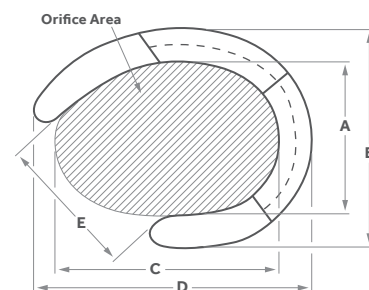
Septal lateral compression is incorporated into the ring to address annular dilatation.



Rings that resemble the natural shape of the annulus provide better leaflet coaptation than planar rings by preserving greater leaflet mobility.<sup>1,2</sup>

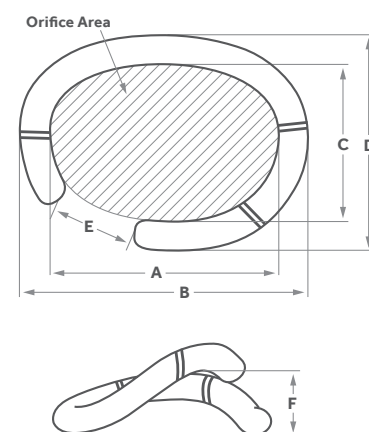
## Tri-Ad 2.0 Adams Tricuspid Annuloplasty Band, Model 900SFC

Order Number	Band Size (mm)	A (mm)	B (mm)	C (mm)	D (mm)	E (mm)	Orifice Area (mm <sup>2</sup> )
900SFC226	26	17.4	25.8	25.6	33.2	15.5	365
900SFC228	28	19.4	27.6	28.1	34.9	17.1	435
900SFC230	30	20.9	29.1	30.6	37.2	18.5	502
900SFC232	32	22.3	30.7	31.5	38.2	20.0	557
900SFC234	34	24.0	32.3	34.7	41.1	20.9	654
900SFC236	36	25.5	33.8	36.3	42.9	21.9	730



## Contour 3D Annuloplasty Ring, Model 690R

Order Number	Ring Size (mm)	A (mm)	B (mm)	C (mm)	D (mm)	E (mm)	F (mm)	Orifice Area (mm <sup>2</sup> )
690R26	26	24	32	16	24	10	7	326.1
690R28	28	26	34	18	25	11	7	387.2
690R30	30	28	36	19	27	12	8	449.2
690R32	32	30	38	21	28	13	8	512.4
690R34	34	32	40	22	30	14	9	588.6
690R36	36	34	42	23	31	15	9	665.1



**Tri-Ad™ 2.0 Adams Tricuspid Band | Indications:** The Tri-Ad 2.0 Adams tricuspid band is indicated for the reconstruction or remodeling of pathological tricuspid valves. The band provides support for and restricts expansion of the tricuspid annulus. **Contraindications:** Severe, generalized or localized bacterial endocarditis; heavily calcified valves; greatly dilated annulus (not reducible by standard techniques); severe valvular dysfunction (not correctable by standard techniques); valvular retraction with severely reduced mobility; congenital malformations with lack of valvular tissue. **Warnings/Precautions/Adverse Events:** Only physicians who have received proper training in valve repair should use this device. Adverse events can include: uncorrected or recurrent regurgitation, stenosis, band dehiscence, hemolysis (even with mild regurgitation), low cardiac output, heart block, damage to coronary arteries, endocarditis, thrombosis, thromboembolism, anticoagulant-related hemorrhage, band fracture, leaflet perforation, and bleeding diathesis.

**Contour 3D™ Annuloplasty Ring | Indications:** The Contour 3D ring is indicated for the reconstruction and/or remodeling of pathological tricuspid valves. **Contraindications:** Heavily calcified valves, valvular retraction with severely reduced mobility, active bacterial endocarditis. **Warnings/Precautions/Adverse Events:** Only physicians who have received proper training in valve repair should use this device. Adverse events can include: thromboembolic events, dehiscence, hemolysis, stenosis, residual incompetence, heart block, endocarditis, right ventricular outflow tract obstruction, anticoagulant-related bleeding or hemorrhage.

**Caution:** Federal law (USA) restricts these devices to sale by or on the order of a physician.

For a listing of indications, contraindications, precautions, warnings, and potential adverse events, please refer to the Instructions for Use. For countries that use eIFUs, consult instructions for use at this website [www.medtronic.com/manuals](http://www.medtronic.com/manuals).

### References

1. Ratschiller T, et al. Early experiences with a new three-dimensional annuloplasty ring for the treatment of functional tricuspid regurgitation. *Ann Thorac Surg*. 2014;98:2039-2044.
2. Padala M, et al. Saddle shape of the mitral annulus reduces systolic strains on the P2 segment of the posterior mitral leaflet. *Ann Thorac Surg*. 2009; 88:1499-1505.

# Medtronic

710 Medtronic Parkway  
Minneapolis, MN 55432-5604  
USA  
Tel: (763) 514-4000  
Fax: (763) 514-4879  
Toll-free: (800) 328-2518

**LifeLine**  
**CardioVascular Technical Support**  
Tel: (877) 526-7890  
Tel: (763) 526-7890  
Fax: (763) 526-7888  
[rs.cstechsupport@medtronic.com](mailto:rs.cstechsupport@medtronic.com)

©2016, 2017, 2018 Medtronic.  
All rights reserved.  
Medtronic, Medtronic logo  
and Further, Together  
are trademarks of Medtronic.  
All other brands are trademarks  
of a Medtronic company.