

Medtronic

# The clear alternative to blind D&C



TruClear™ System



# Visual D&C: Increasing your assurance in a familiar procedure

Almost 100,000 blind D&Cs are performed each year in America alone;† however research has shown them to have low diagnostic accuracy.<sup>1</sup> In a study of post-menopausal women, whole or parts of the lesion remained in situ after a D&C in 87 percent of patients.<sup>2</sup> Providing direct visualization, the TruClear™ system delivers assurance you have captured all intended tissue for pathological analysis, as well as an efficient method of tissue removal.



After a blind D&C, whole or part of the lesion remained in situ in 87 percent of patients, in a study of post-menopausal women.<sup>2</sup>

After a procedure with the TruClear™ system, whole or part of the lesion remained in situ in only 2% of patients, in a randomized controlled trial.<sup>3</sup>

## When you bring the TruClear™ system to your office or OR, you get a device that:

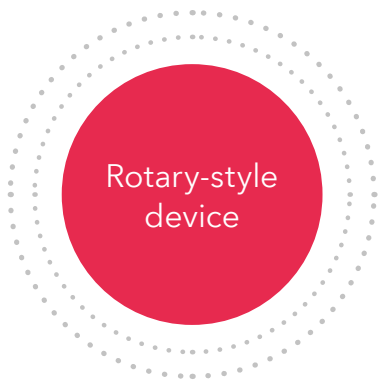
- Resects pathology down to base with the close-cutting edge of TruClear™ soft tissue devices
- Allows for complete capture of intended tissue for histological confirmation through simultaneous cutting and aspiration
- Is designed to reduce trauma to surrounding healthy endometrium
- Aligns with ACOG guidance: hysteroscopy is recommended with directed D&C to include any discrete lesions as well as the background endometrium<sup>4</sup>

† Truven CPT procedure data, 2017.



# Complete more cases with greater access.

With its open cutting window design, the rotary-style TruClear™ soft tissue devices offer unimpeded access to all pathology within the cavity. By comparison, reciprocating-style devices may not be able to adequately reach pathology in all areas of the uterus.



Enables access to entire cavity, including the cornua and fundal wall



Provides gentle resection all the way down to the base of the pathology

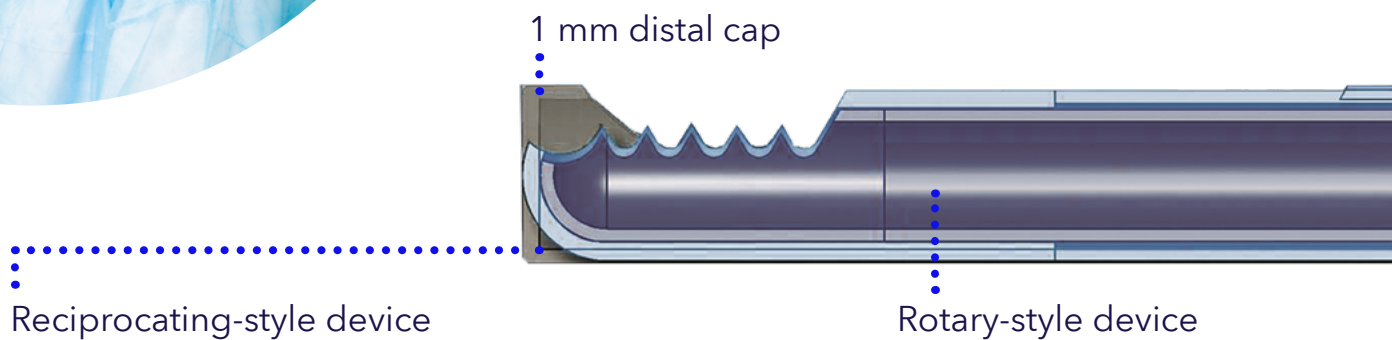


Optimized for soft-tissue removal, the only blade-style designed to draw in tissue





# The clear advantage



CAD depiction of the TruClear™ soft tissue shaver mini overlaid with a reciprocating device that has a 1 mm distal cap. Dimensions and representations of reciprocating device may not be accurate.

For more information about the TruClear™ system, including indications for use, contraindications, effects, precautions, and warnings, please consult the instructions for use (IFU) for the product.

1. AAGL Practice Report: Practice Guidelines for the Diagnosis and Management of Endometrial Polyps; 2012.
2. Epstein E, Ramirez A, Skoog L, Valentin L. Dilatation and curettage fails to detect most focal lesions in the uterine cavity in women with postmenopausal bleeding. *Acta Obstet Gynecol Scand.* 2001;80(12):1131-1136.
3. Smith PP, Middleton LJ, Connor M, Clark TJ. Hysteroscopic morcellation compared with electrical resection of endometrial polyps. *Obstet Gynecol.* 2014;123(4):745-751.
4. American College of Obstetricians-Gynecologists. ACOG practice bulletin: Clinical management guidelines for obstetrician-gynecologists. Number 149, April 2015. *Obstet Gynecol.* 2015;125(4):1010.

TruClear™ system is a Medtronic product. Product packaging and labeling reflect Covidien. Covidien is a subsidiary of Medtronic

## Medtronic

Important: Please refer to the package insert for complete instructions, contraindications, warnings and precautions.

© 2023 Medtronic. Medtronic, Medtronic logo, and Engineering the extraordinary are trademarks of Medtronic.

™\* Third-party brands are trademarks of their respective owners. All other brands are trademarks of a Medtronic company.

EMEA-UW-2100051-truclear-vs-d-c-brochure-en-we-7795682

[medtronic.com/covidien/uk](https://www.medtronic.com/covidien/uk)